



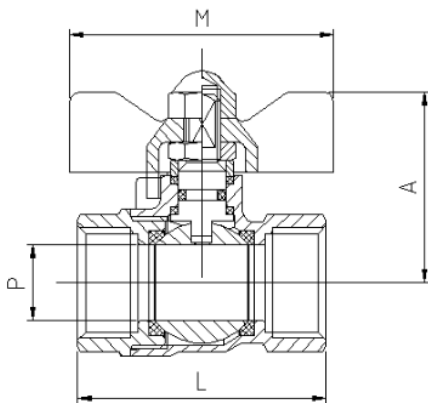
## BRASS VALVES

GENEBRE PART: 3037 FULL BORE F x F BALL VALVE BSP, THUMB GRIP LEVER (RED)



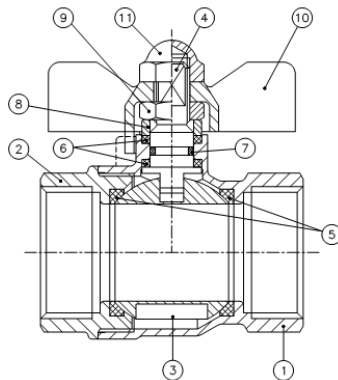
### SPECIFICATIONS

1	Material: Brass
2	Threaded ends according to ISO228/1
3	Max working pressure 25 Bar at ambient temp
4	Max Temperature + 180°C
5	Full bore
6	Bi-directional flow
7	Hand operated with RED aluminium thumb grip handle



### DIMENSIONS

AVOL REF	SIZE mm	A mm	L mm	M mm	Wt Kg
3037 02	1/4"	38	40	50	0.09
3037 03	3/8"	38	43	50	0.10
3037 04	1/2"	40	49	50	0.14
3037 05	3/4"	50	56	62	0.23
3037 06	1"	53	68	62	0.36



### MATERIALS

1	Chrome plated brass
2	Chrome plated brass
3	Chrome plated brass
4	Chrome plated brass
5	PTFE
6	PTFE
7	NBR
8	Chrome plated brass
9	Chrome plated brass
10	Painted aluminium
11	Chromed brass